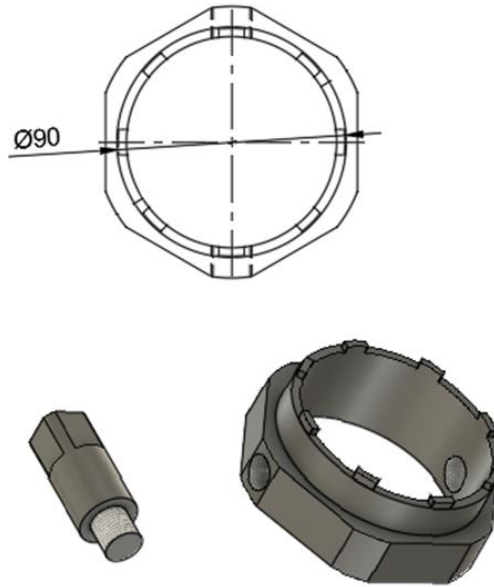




Tool for mantling and dismantling of steering rack bearing nut Part No. TLS20265



Application
HYUNDAI Tucson 2015-, KIA Sportage 2016- 4WD, turn 2.7)

FITS THE FOLLOWING

Rack part number	Crossreferences	Application
ATGE42801RB	HYUNDAI 57700D7101, 57700D7100	Hyundai Tucson III (2015-2018) Kia Sportage (QL) (2016-) Sportage IV (2016-2018)

More new products at <https://www.atg-components.com/warehouse-news>